

W W W . I E C H O S O F T . C O M



WeChat

**HANGZHOU IECHO SCIENCE & TECHNOLOGY CO., LTD.**

Address: No.1 Building, No.1 Weiye Road, Binjiang  
District, Hangzhou, China  
Tel: +86-571-86609560  
Fax: +86-571-86698923

Email: [sales@iechosoft.com](mailto:sales@iechosoft.com)

[WWW.IECHOSOFT.COM](http://WWW.IECHOSOFT.COM)

**IECHO**

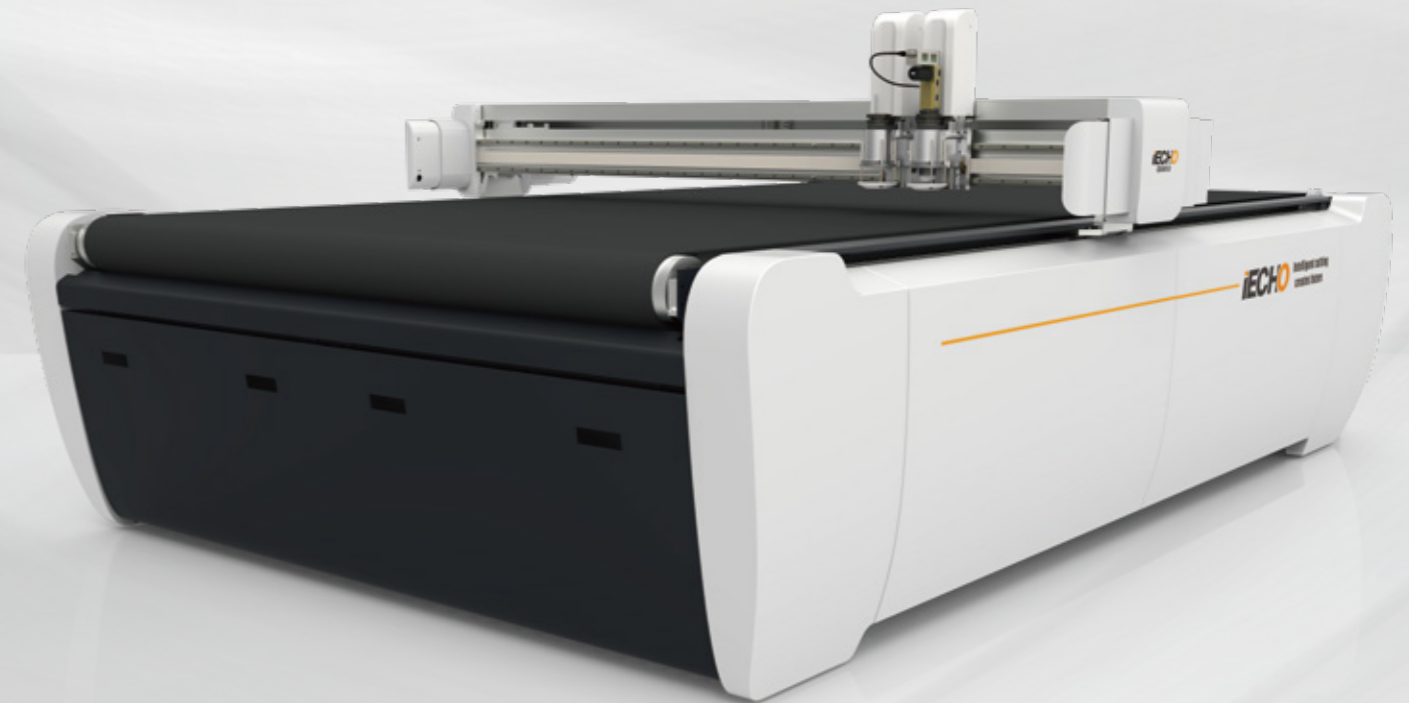
# BK4

## IECHO New Model

**H I G H S P E E D D I G I T A L  
C U T T I N G S Y S T E M**

Inherit high quality / Continue the classic

Fast / Precise / Reliable

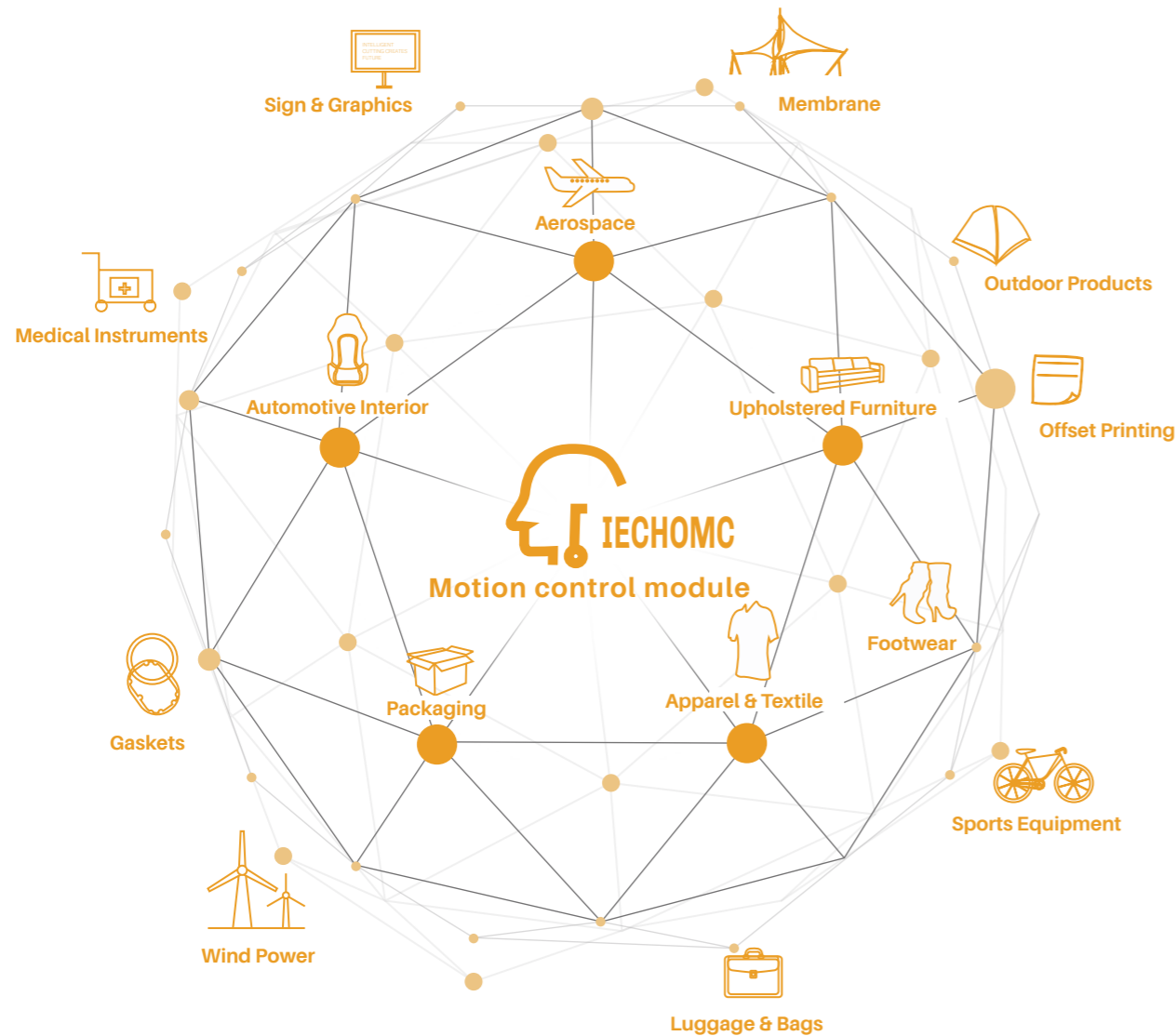


**INTELLIGENT CUTTING CREATES FUTURE**

# INTELLIGENT IECHOMC Precision Motion Control

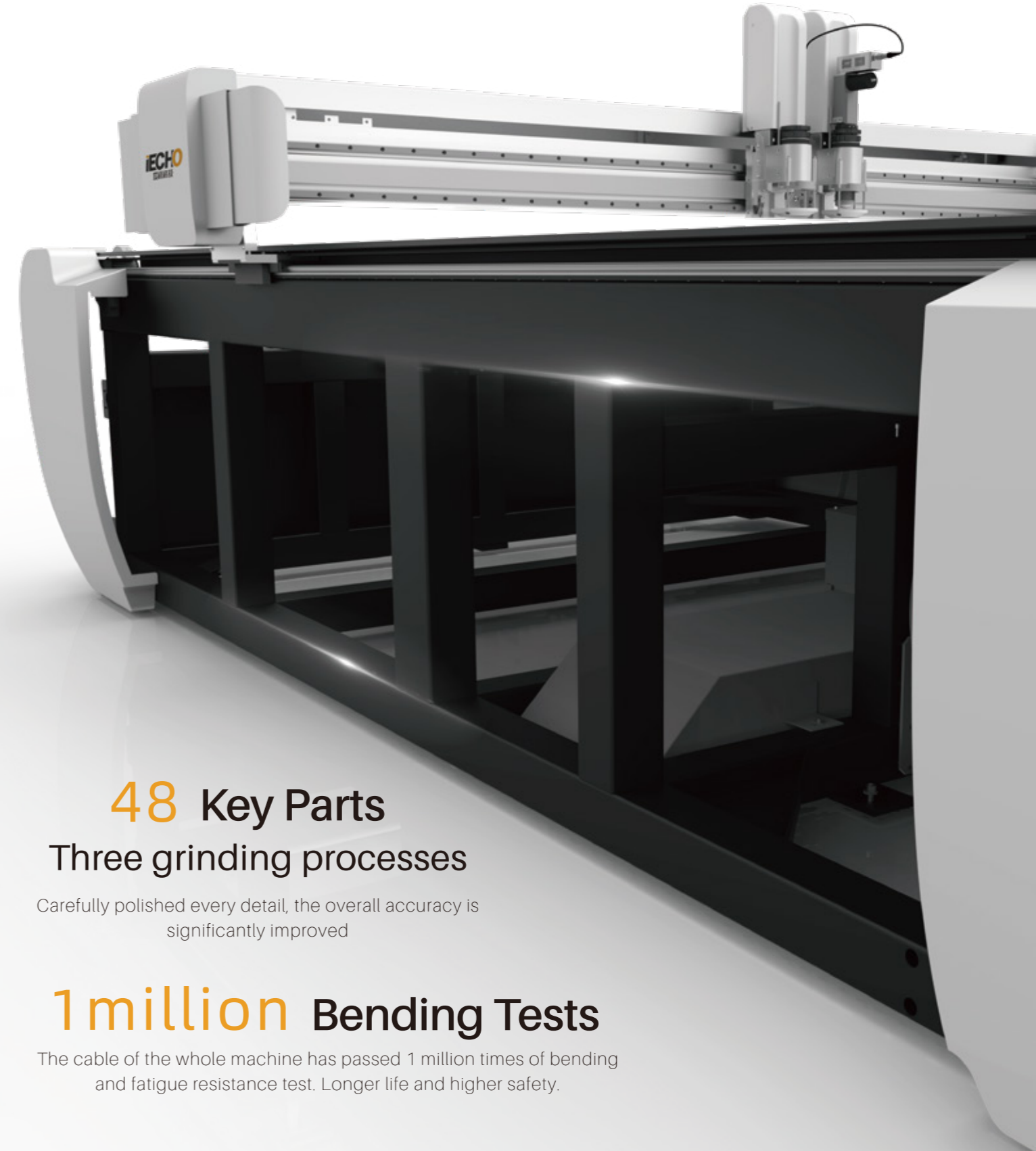
Maximum speed **1800** mm/s

IECHOMC motion control module makes the machine run more intelligently. Different motion strategies can be replaced at will and easily deal with the processing of different products in different industries.



# Ultra-high Strength Integrated Frame

12mm steel frame with qualified connection technology, the machine body frame weighs 600KG.  
Strength increased by 30%, reliable and durable



**48** Key Parts

Three grinding processes

Carefully polished every detail, the overall accuracy is significantly improved

**1 million** Bending Tests

The cable of the whole machine has passed 1 million times of bending and fatigue resistance test. Longer life and higher safety.



Remote diagnosis  
Quick diagnosis and solve problems remotely



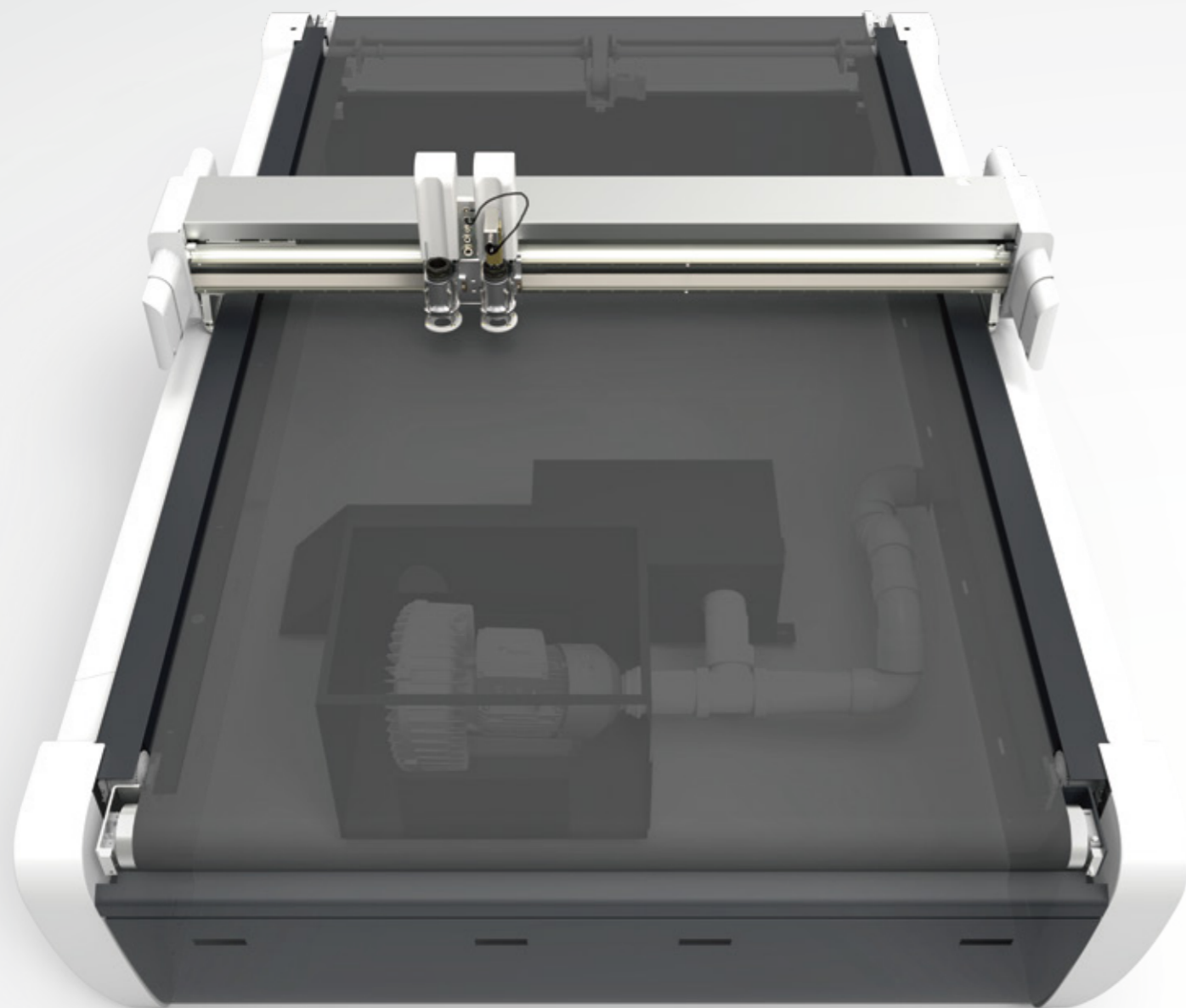
Intelligent Optimization  
Optimize cutting solution according to products.



Custom Development  
Development of exclusive control software.



MES  
Connect to various management systems



## Exquisite Appearance Excellent Quality

Whole machine integrated molding, Stylish appearance  
Appreciate the Beauty of Design

### OUTSIDE

Textured body / Qualified choice

New Appearance

High-strength engineering materials

Hidden cable carrier

### INSIDE

Superb Craftsmanship

New vacuum design  
Air flow increased by 25%

Diagonal brace built in the gantry  
Structural strength increased by 30%

Intelligent vacuum zones  
Intelligently adjust suction  
according to material size

Imported aviation aluminum table  
Integrated molding, smooth and stable



Large flow pipeline design  
Super suction



## Standard configured Soundproof Box

Create comfortable working environment

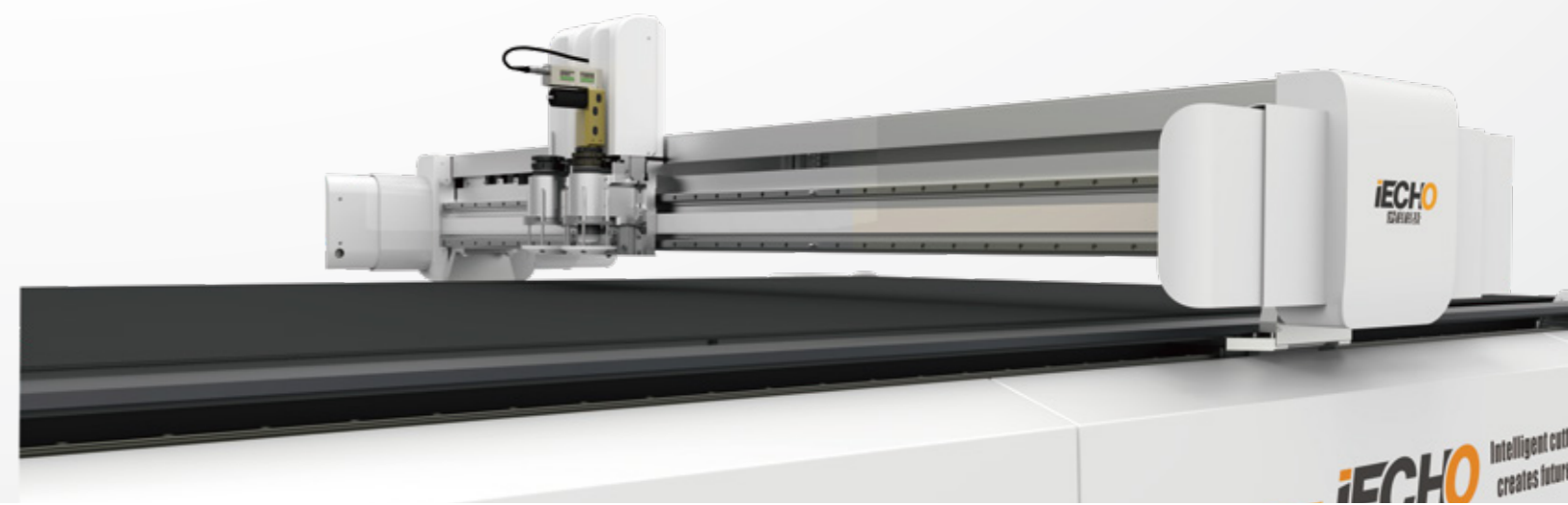
Latest upgraded mute system, noise reduction at the source.

**65** dB in energy saving mode 

## Air circulation cooling

Good heat dissipation

IECHO's newly developed air circulation cooling system efficiently dissipates heat and easily copes with harsh environments



# Coexistence of details and strength



## Diversified cutting module configuration

Diversified cutting modules can be freely combined as needed, satisfying the cutting requirements for different materials in different industries.

## Upgrade circuit layout

Newly upgraded circuit layout, more convenient operation.



## Various material unwinding devices

Choose the correct unwinding device according to feature of the material.

## Intelligent Conveyor System

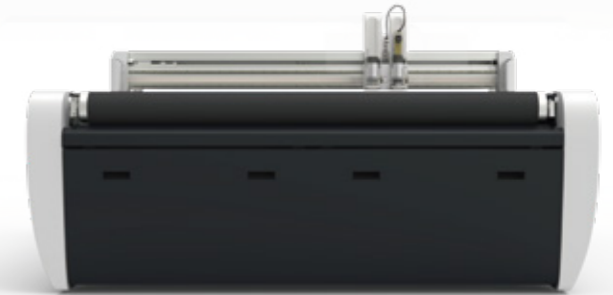
Intelligent control of material transmission realizes the coordinated work of cutting and collecting, realized continuous cutting for super-long marker, saving labor and improved production efficiency.



Top view



Side view



Front view

## PARAMETERS

Model	BK4-1312	BK4-2516
Effective cutting area(mm)	1300×1200	2500×1600
Machine dimension(mm)	2100×2000	3200×2400
Weight	600kg-900kg	
Maximum cutting speed	1800mm/s	
Maximum cutting thickness	50mm	
Cutting precision	0.1mm	
File format	DXF /HPGL /ISO	
Suction media	Vacuum	
Pump power	7.5KW/9KW	
Electric power	220V/50HZ 380V/50HZ	
Operation environment	Temperature: 0°C-40°C Humidity: 20%-80%RH	

# VARIETY OF TOOLS

## FOR YOUR SELECTION

Meet all your processing requirements

### IECHO V-CUT



A dedicated tool used for corrugated and sandwich materials to make V groove, can change blade slope (0°, 15°, 22.5°, 30°, 45°) to achieve different results.

### IECHO CTT



Used for making creases on corrugated and similar materials. It can crease perfectly by different types of wheels. By controlling the cutting software, creasing tool can process along corrugated direction or in different direction, to obtain high quality creases.

### IECHO UCT

UCT can cut materials up to 5mm thickness with fast speed. Comparing with the other tools, UCT is the most cost-effective tool. It has three types of blade holders for different blades.



### IECHO RZ

The imported spindle with 350W power is used. According to different materials and applications, the speed can be up to 60000 RPM. The high-frequency rotor-driven module is used to cut hard materials and foam materials with a thickness of 20mm. The high-speed and high-efficiency processing performance is better than traditional processing way, which can meet the 24/7 production need. Specially equipped cleaning device minimizes the debris and the air cooling system extends the life time of the spindle and blades.



### IECHO POT

Driven by compressed air, 8mm stroke suits very well for foam material cutting such as honeycomb board, and suited for multiple types of materials, with special blade it can cut up to 60mm thickness.



### IECHO KCT

Mainly used for cutting vinyl (sign, sticker material), by adjusting blade position it can cut material with precise depth, cut accurately the upper layer without damaging under layer with fast speed.



### IECHO EOT

The high-frequency vibration of the brushless DC motor cuts the material, which is suitable for cutting medium-density materials. With a wide variety of blades, it is suitable for processing different materials, and can process a minimum of 2mm arc.



### IECHO DRT

The brushless DC motor drives the blade to rotate and cut the material at high speed. It can be equipped with round blades or 10-angle blades. It is particularly suitable for cutting woven materials, which can significantly reduce the drag force and help to cut each fiber or thread completely.



### IECHO EOT4

EOT4 is used to process sandwich/honeycomb board material, corrugated board, thick carton board and strength leather. It has 2.5mm stroke, can cut thick and dense material with high speed. It is equipped with air cooling system to extend blade lifespan.



### IECHO PRT

Compared with DRT, the PRT with its strong power performance is suited for wider range of materials, can cut easily the challenging materials like glass fiber and aramid fiber. It has air cooling system to reduce motor temperature to expand its lifespan.

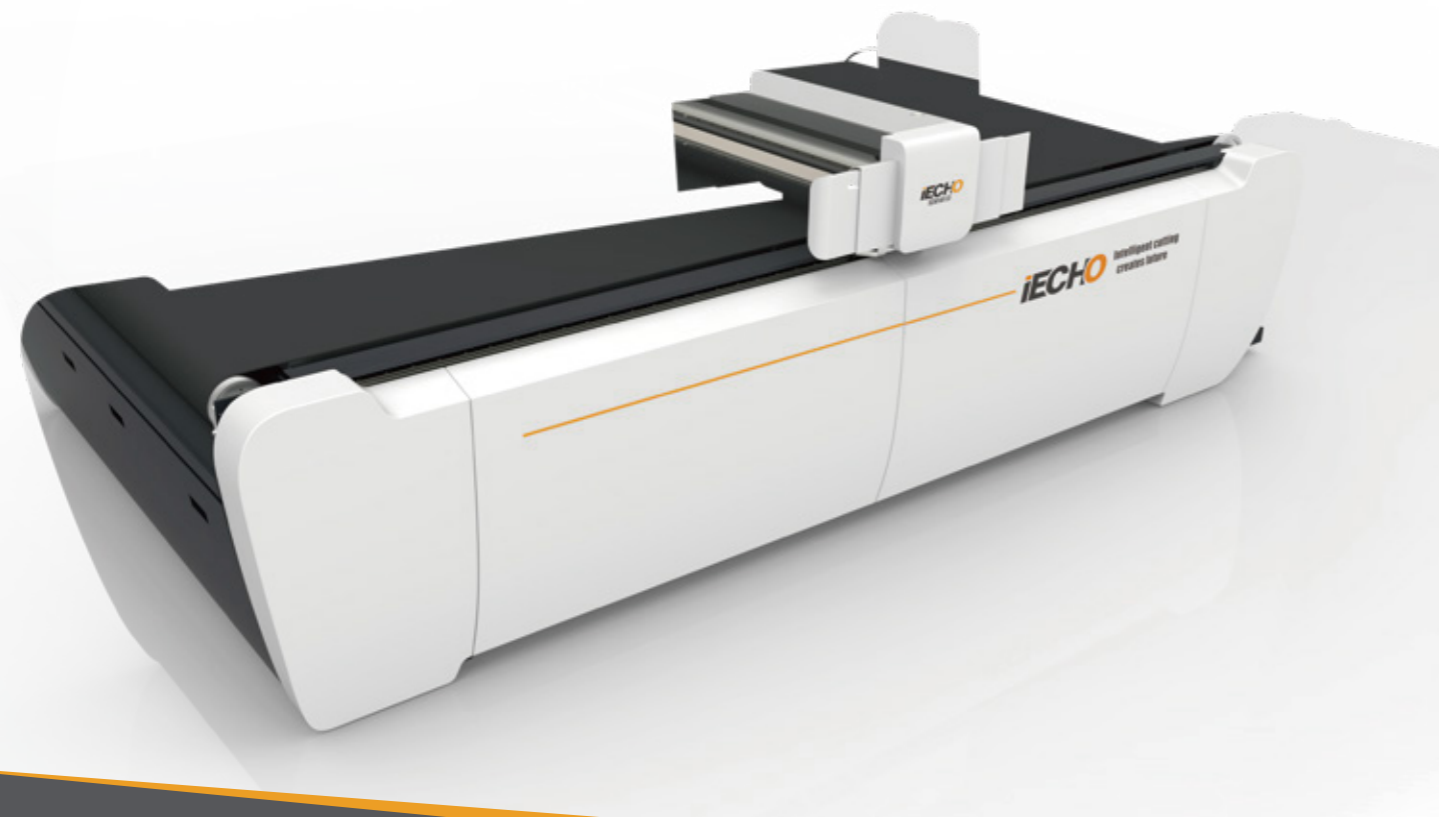


# Quality recommendation Simplify your choice

## 100+ Service offices

IECHO digital cutting machine, professional guarantee, worldwide service offices

The latest generation BK4 cutting system, for single layer (few layers) cutting, can work automatically and accurately process like through cut, kiss cut, milling, V groove, creasing, marking, etc. It can be widely used in the industries of automotive interior, advertising, apparel, furniture and composite, etc. BK4 cutting system, with its high precision, flexibility and high efficiency, provides automated cutting solutions to variety of industries.



9 invention patents  
30 utility models and appearance patents



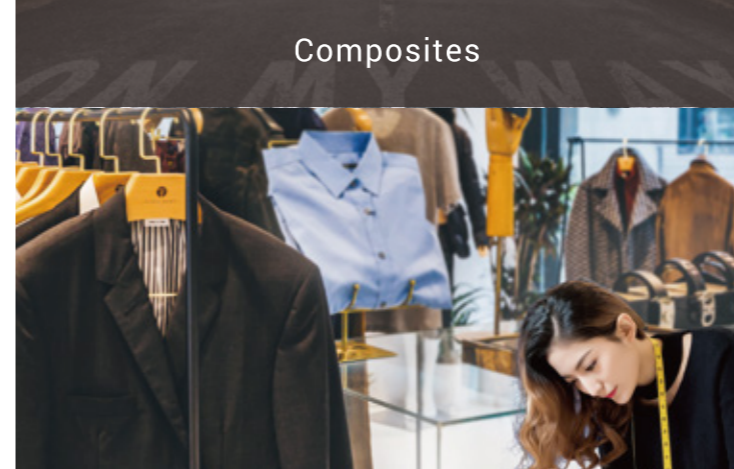
## APPLICATION INDUSTRIES



Composites



Print & Packaging



Textile & Apparel



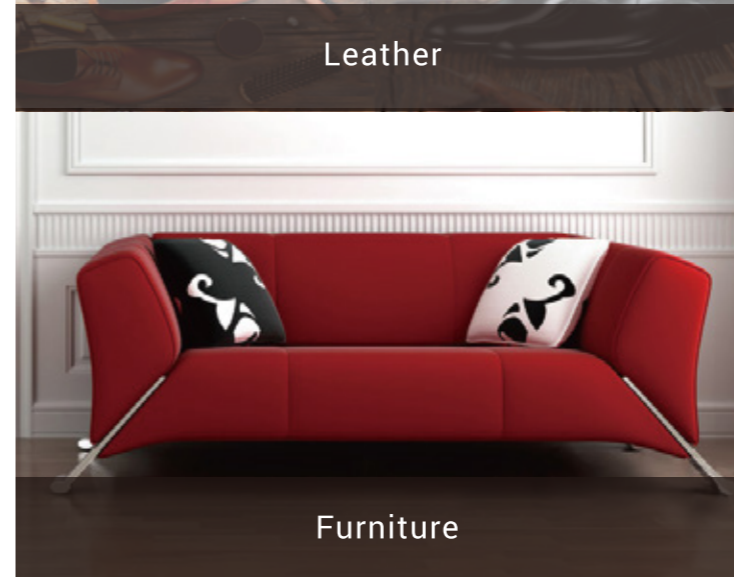
Offset printing



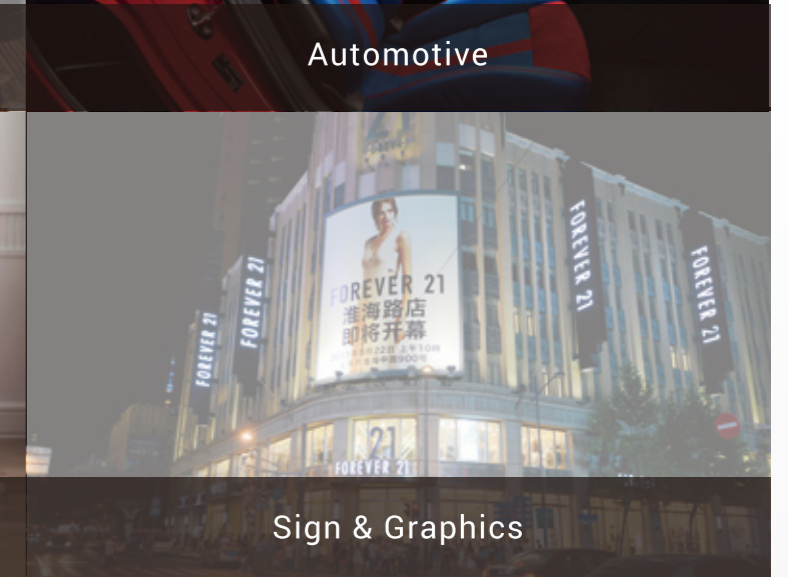
Leather



Automotive



Furniture



Sign & Graphics